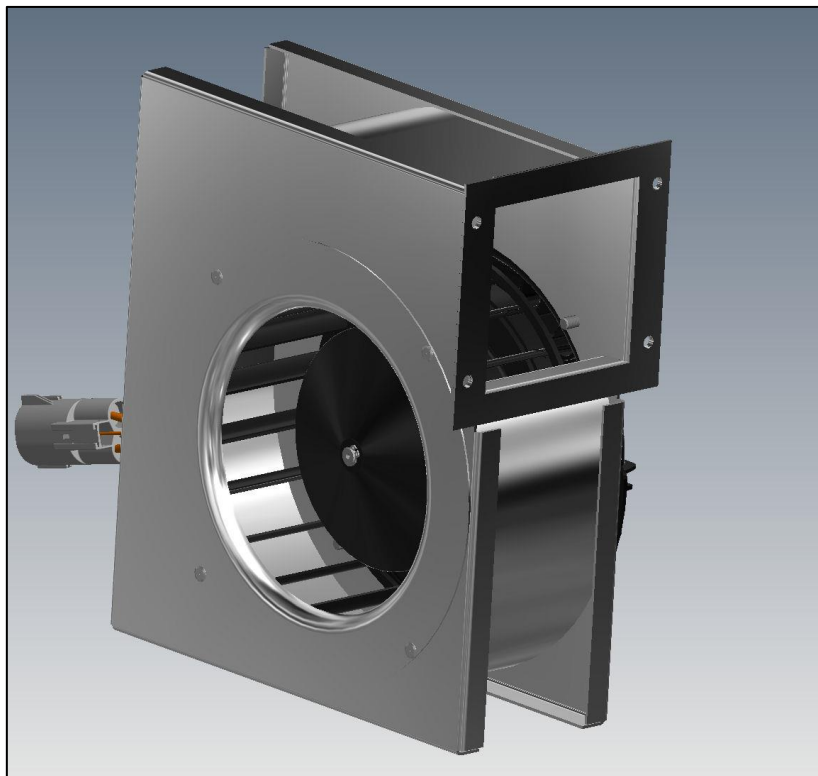
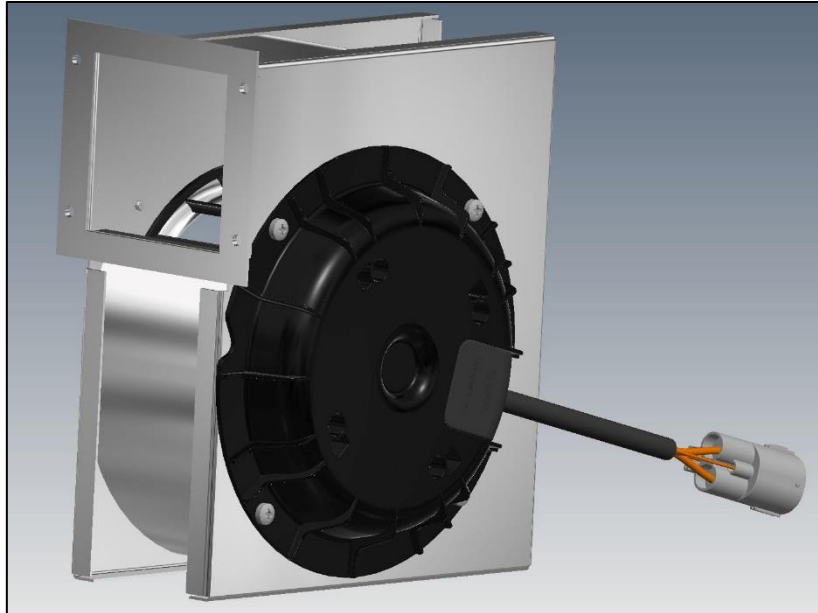


Radialventilator RA188-EC 24V



Features

Max fan speed	rpm	1900 @ 0 Pa / 3600 @ 1200 Pa
Min fan speed	rpm	800
Sound pressure level at max speed	dBA	73 – at 1m from the fan module lateral side, 550Pa load, 2750rpm
Weight	kg	1.6
Operating supply voltage range	V	16.0 .. 32.0 at the Drive connector
Supply voltage to reach max speed	V	24.0 .. 32.0 at the Drive connector
Operating ambient temperature range	°C	-40 .. +95
Speed derating threshold	°C	+85 (1)
Storage temperature range	°C	-40 .. +120
Lifetime	h	up to 40000 hours depending on mission profile
Time from 0 rpm to max speed	s	5 (0 to 1900 rpm)
Load dump protection (Pulse 5b)	V	65 - Pulse peak voltage (U_S^*) - ISO16750-2:2010
Reverse polarity protection		ISO 16750-1 functional status class C - device fully functional after correcting the polarity

Notes: (1) Few minutes ambient temperature transients do not engage the derating owing to the thermal inertia of the system. Overloads may anticipate derating.

Air performance at maximum speed

